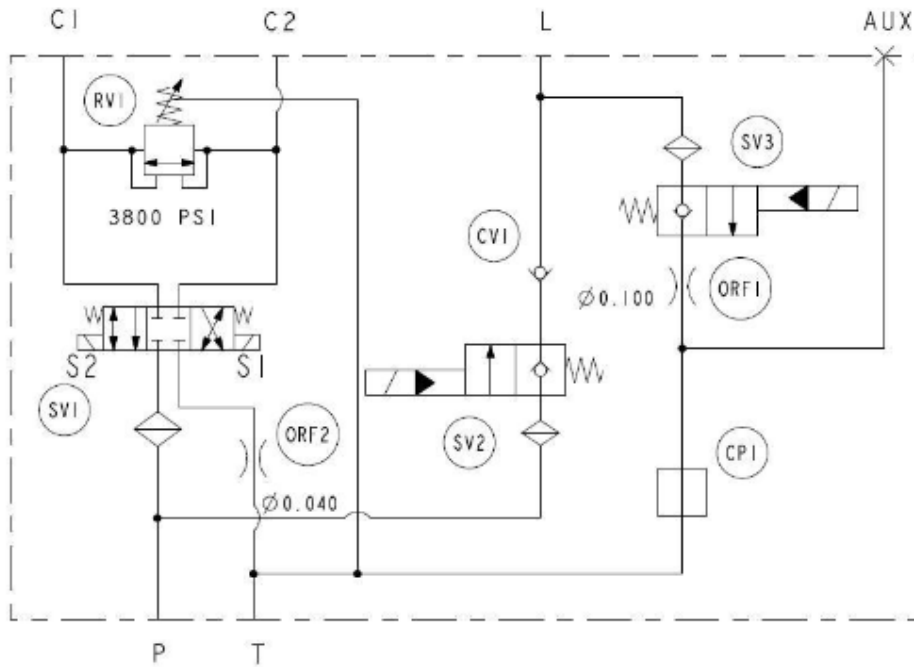
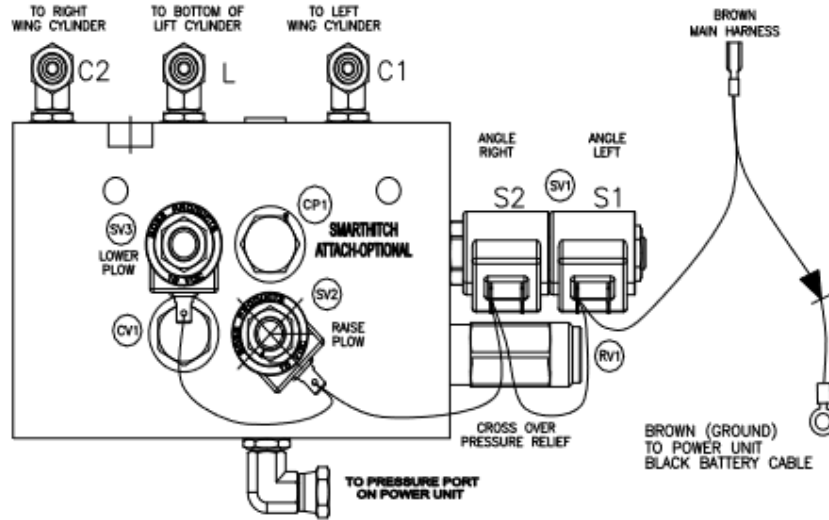


**HYD12270 Hydraulic Valve Assembly
RT3 UTV Straight Blades
SmartHitch™ Ready (Blue)
Blade Functions**



Hydraulic Valve Assembly Parts List

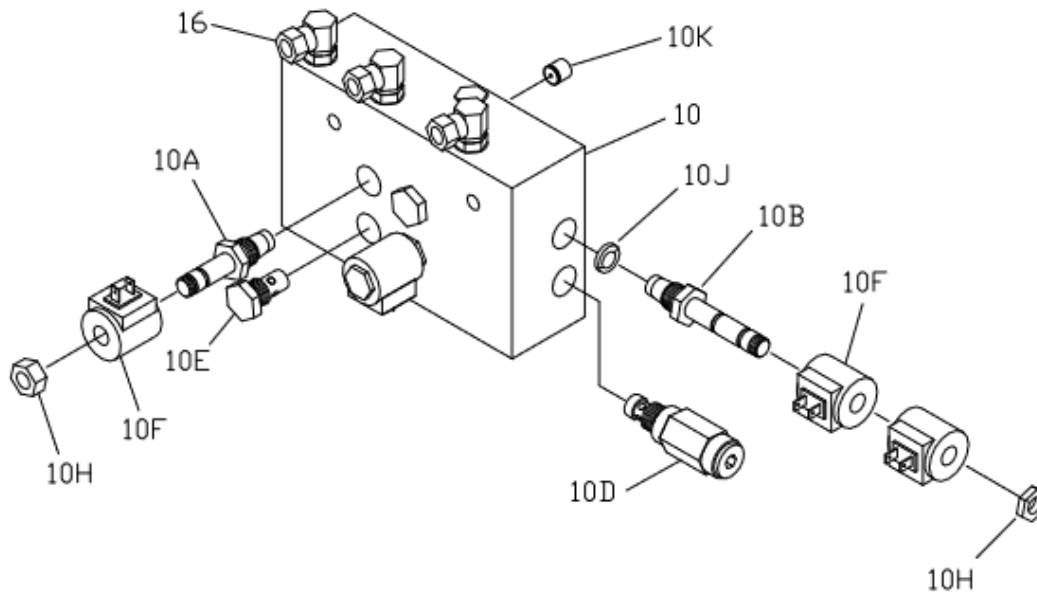


Figure 21. Straight Blade UTV Manifold (SmartHitch2™ Ready) Parts Diagram

G10628

Ref.	Description	Part Number	Qty
10	Hydraulic Valve Assembly, SmartHitch2™ Ready (Blue)	HYD12270	1
10A	Hydraulic Valve, Lift/Lower Cartridge	HYD01637	2
10B	Hydraulic Valve, Angle Cartridge (3 Position - 4 Way Spool)	HYD07100	1
10C	Hydraulic Valve, SmartHitch2™ Attach (Optional, Not Pictured)	HYD07047	1
10D	Relief Valve, Hydraulic Crossover (3800 PSI)	HYD07027	1
10E	Check Valve	HYD01640	1
10F	Coil, Hydraulic Valve - used with valve HYD01637 & HYD07100	HYD01638	4
10H	Nut, Coil - used with valve HYD01637 & HYD07100	HYD07059	3
10J	Hydraulic Orifice Disk	HYD12820	1
10K	Hydraulic Orifice Plug	HYD12821	1
10L	Nut, Coil - used with valve HYD07047 (Optional, Not Pictured)	HYD07060	1